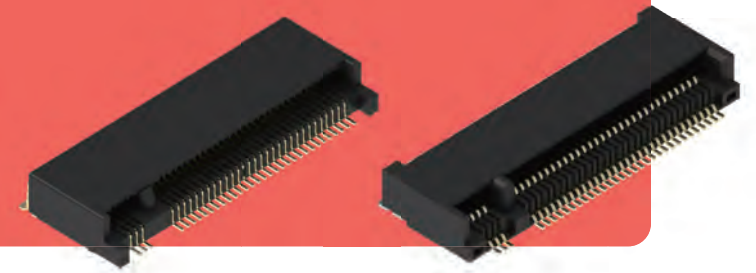
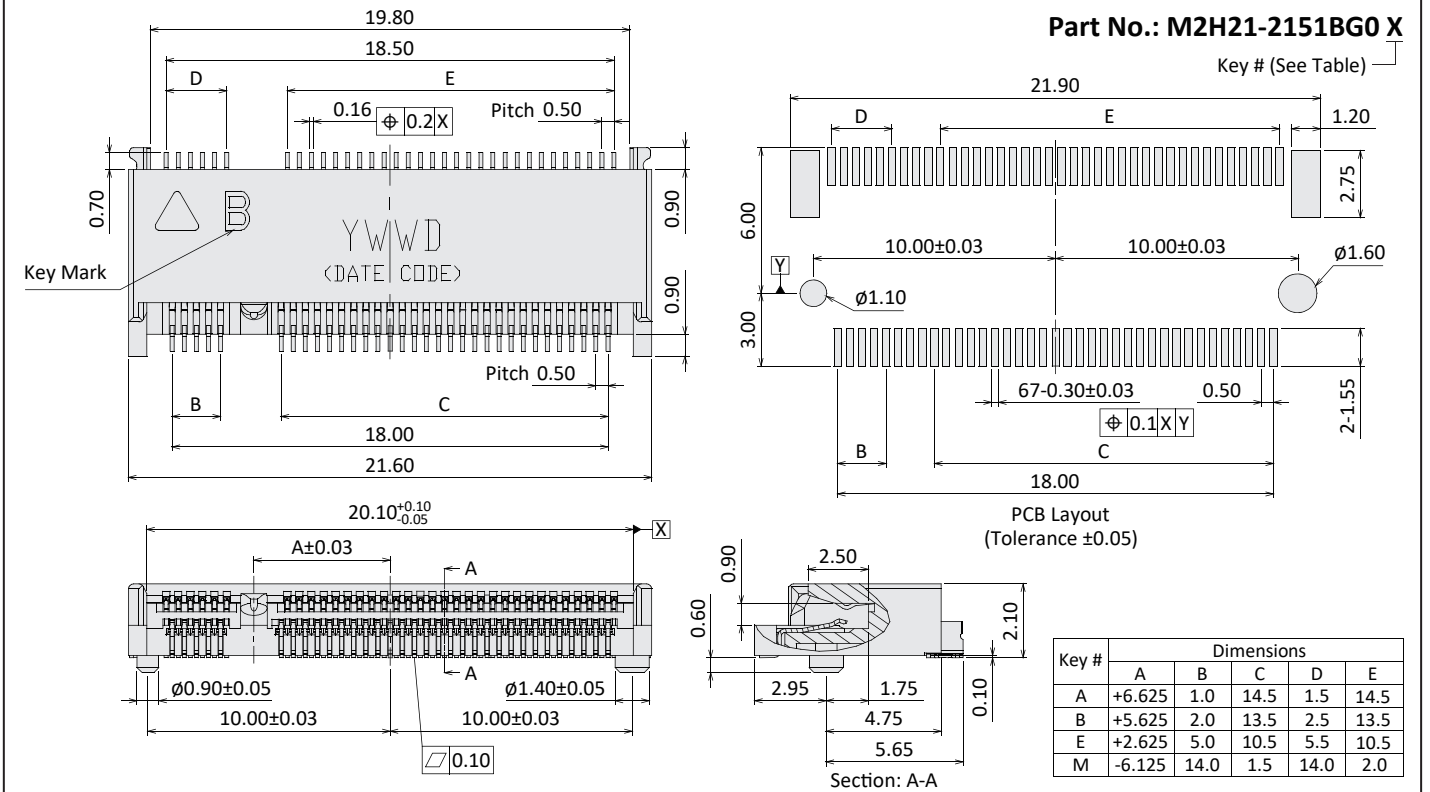


M.2 Connector

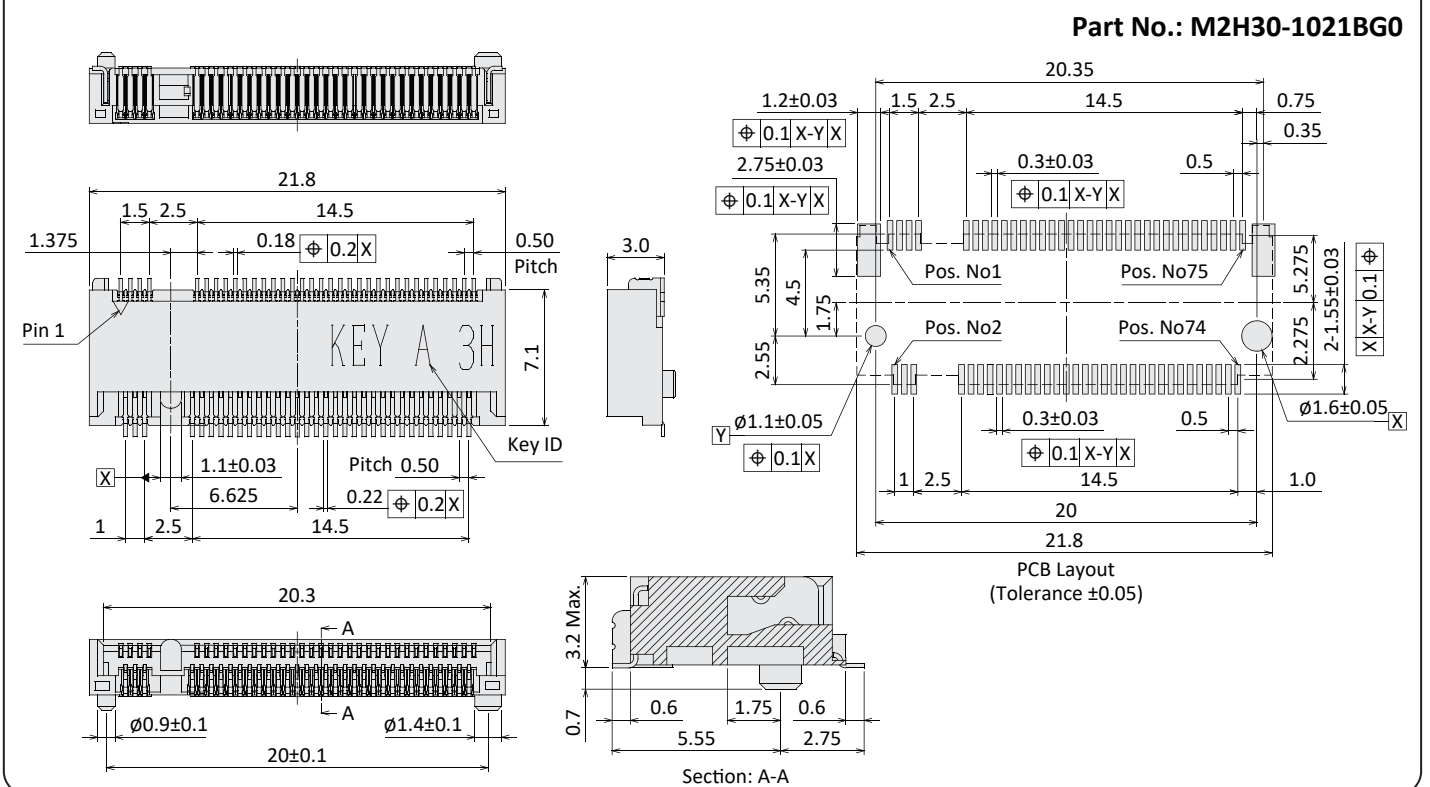
Current Rate: 1A
 Dielectric Voltage: 500V AC for one minute
 Insulation Resistance: 500MΩ Min.
 Contact Resistance: 20mΩ Max.
 Material Contact: Copper Alloy, Gold Plated
 Material Insulator: LCP, UL94V-0
 Operating Temperature: -55°C~+85°C



M.2 Connector H=2.1mm Key A, B, E, M



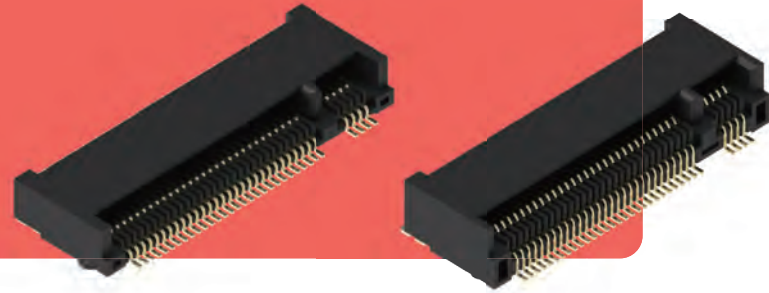
M.2 Connector H=3.0mm Key A



M.2 Connector

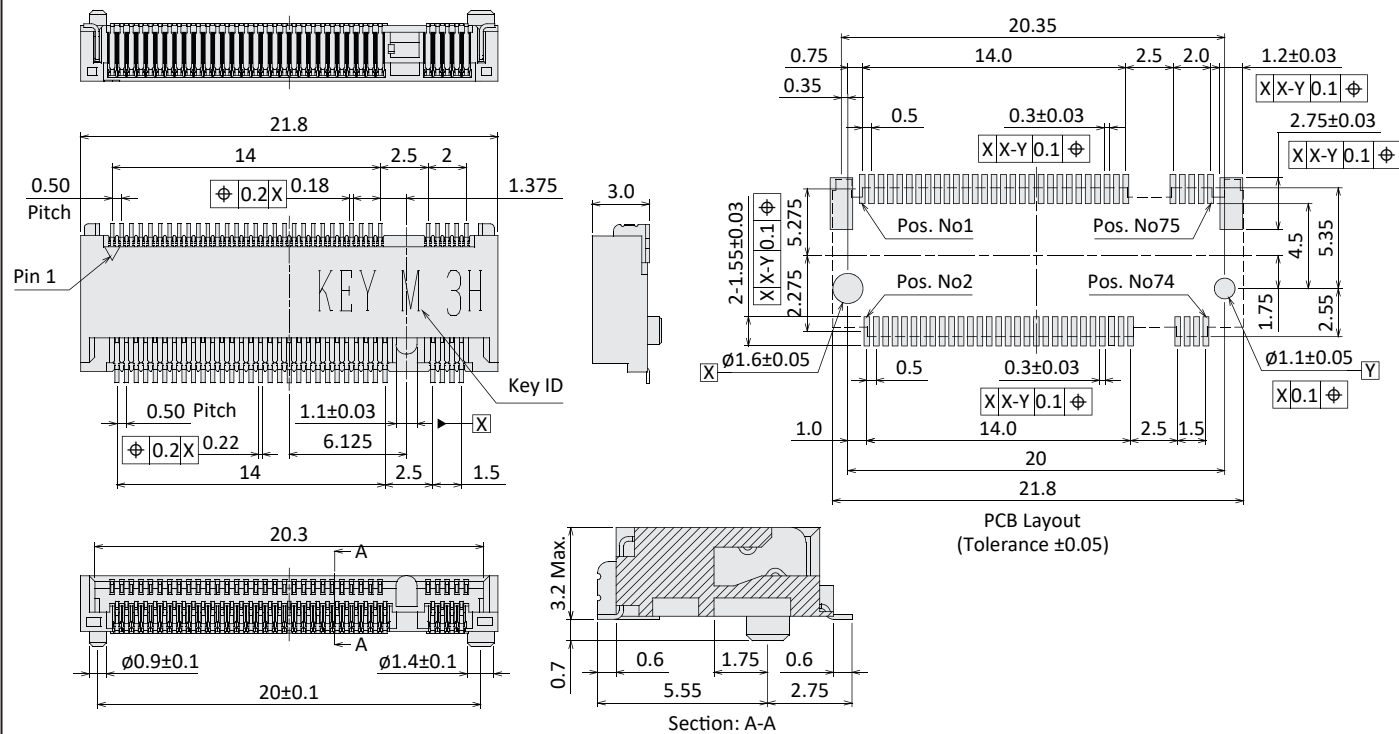
Card Slot

Current Rate: 1A
 Dielectric Voltage: 500V AC for one minute
 Insulation Resistance: 500MΩ Min.
 Contact Resistance: 30mΩ Max.
 Material Contact: Copper Alloy, Gold Plated
 Material Insulator: LCP, UL94V-0
 Operating Temperature: -25°C~+85°C



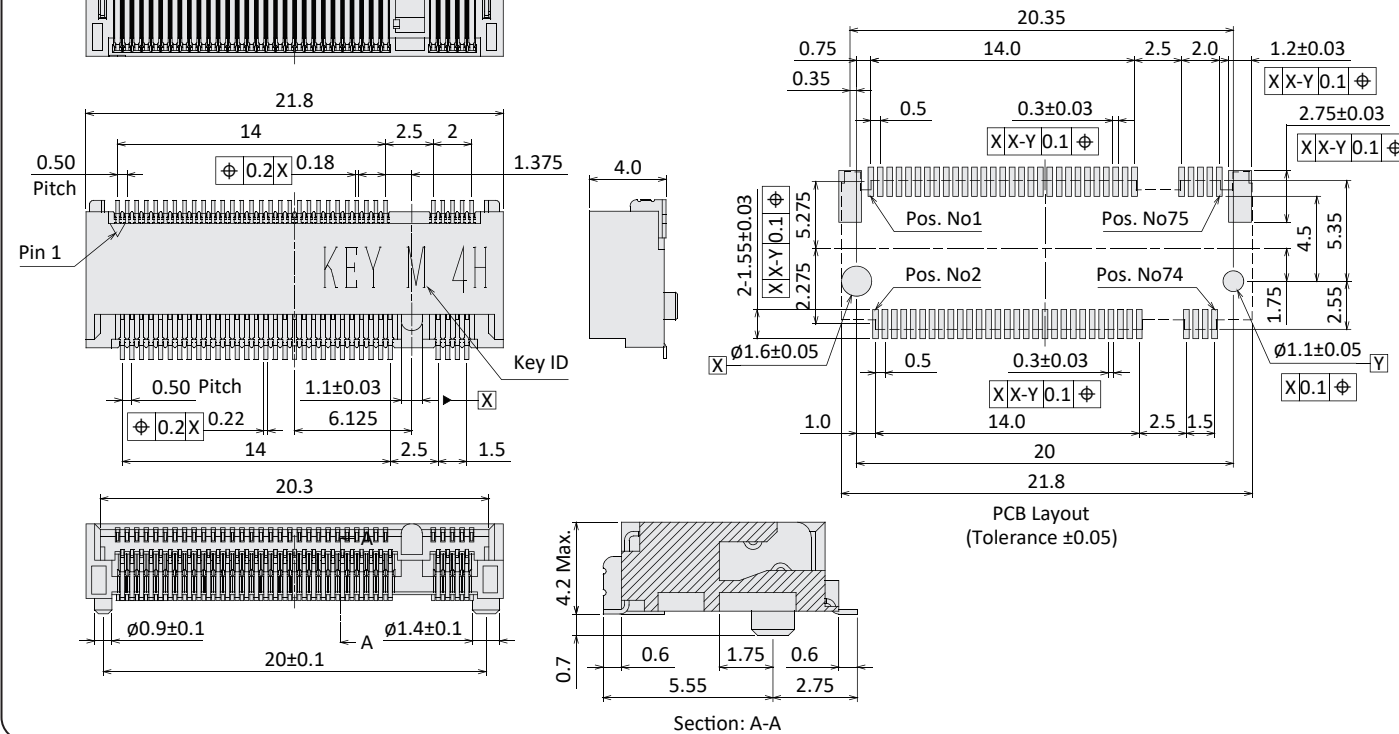
M.2 Connector H=3.0mm Key M

Part No.: M2H30-1024BG0



M.2 Connector H=4.0mm Key M

Part No.: M2H40-1019BG0



Mini PCIe Connector

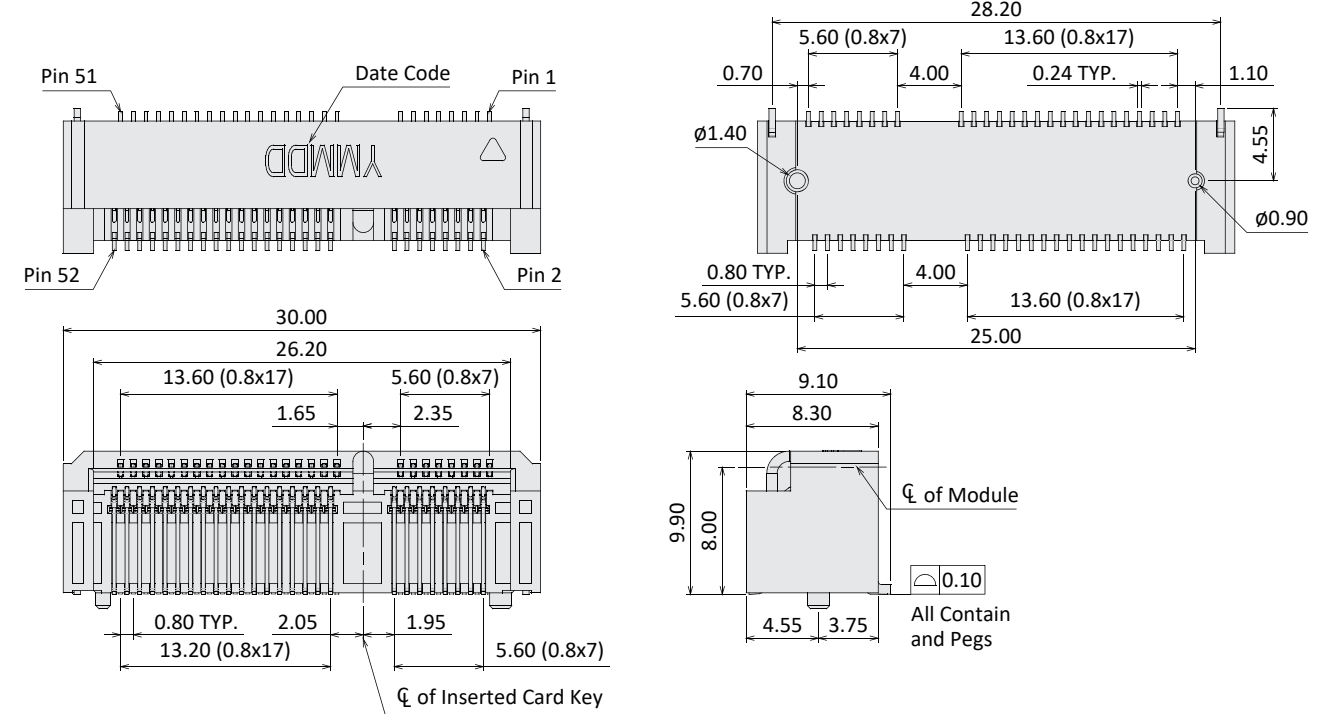
Card Slot

Current Rate: 1.5A
 Dielectric Voltage: 125V AC for one minute
 Insulation Resistance: 500MΩ Min.
 Contact Resistance: 30mΩ Max.
 Material Contact: Copper Alloy, Gold Plated
 Material Insulator: LCP, UL94V-0
 Operating Temperature: -40°C~+85°C

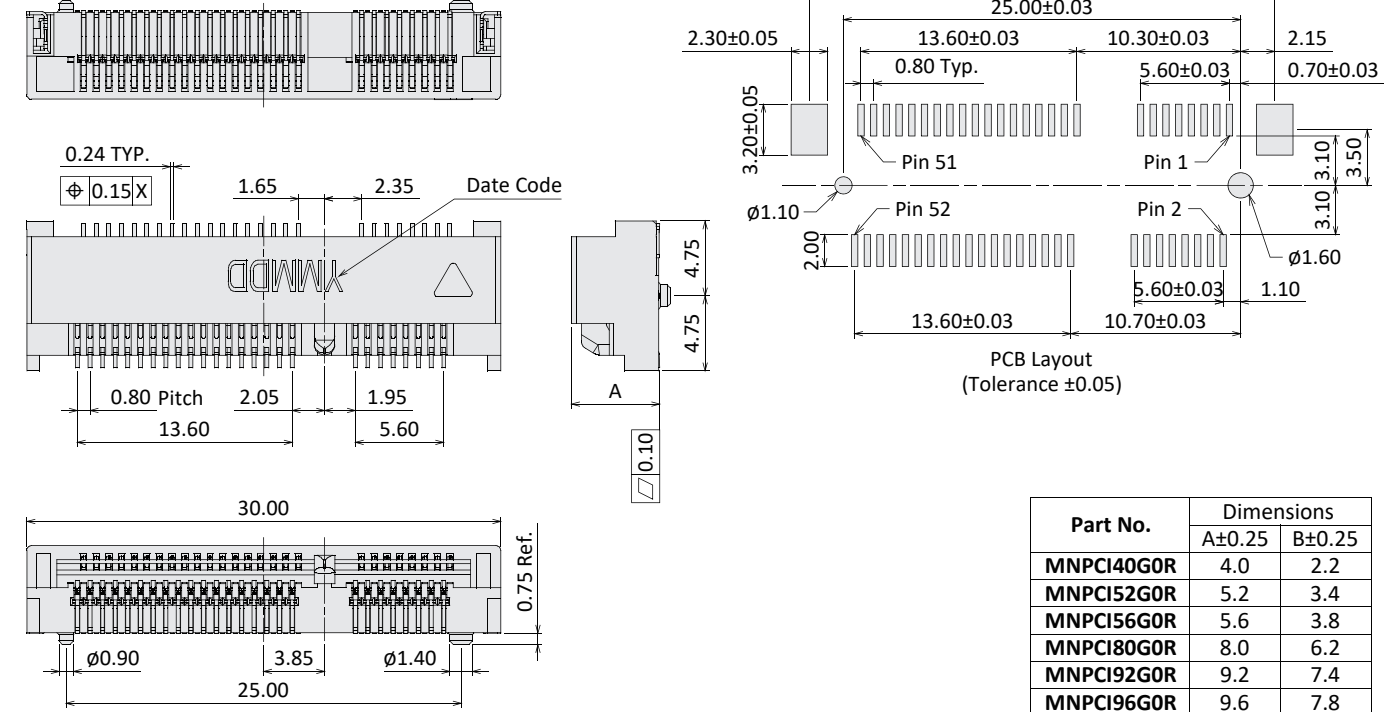


Mini PCI Express 52P H=9.9mm

Part No.: MNPCI99G0R

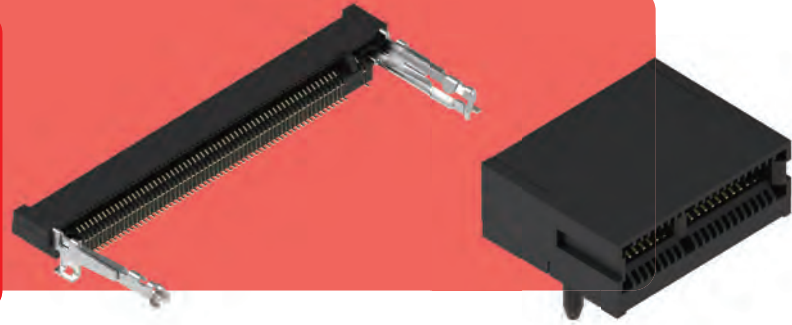


Mini PCI Express 52P H=4.0~9.6mm

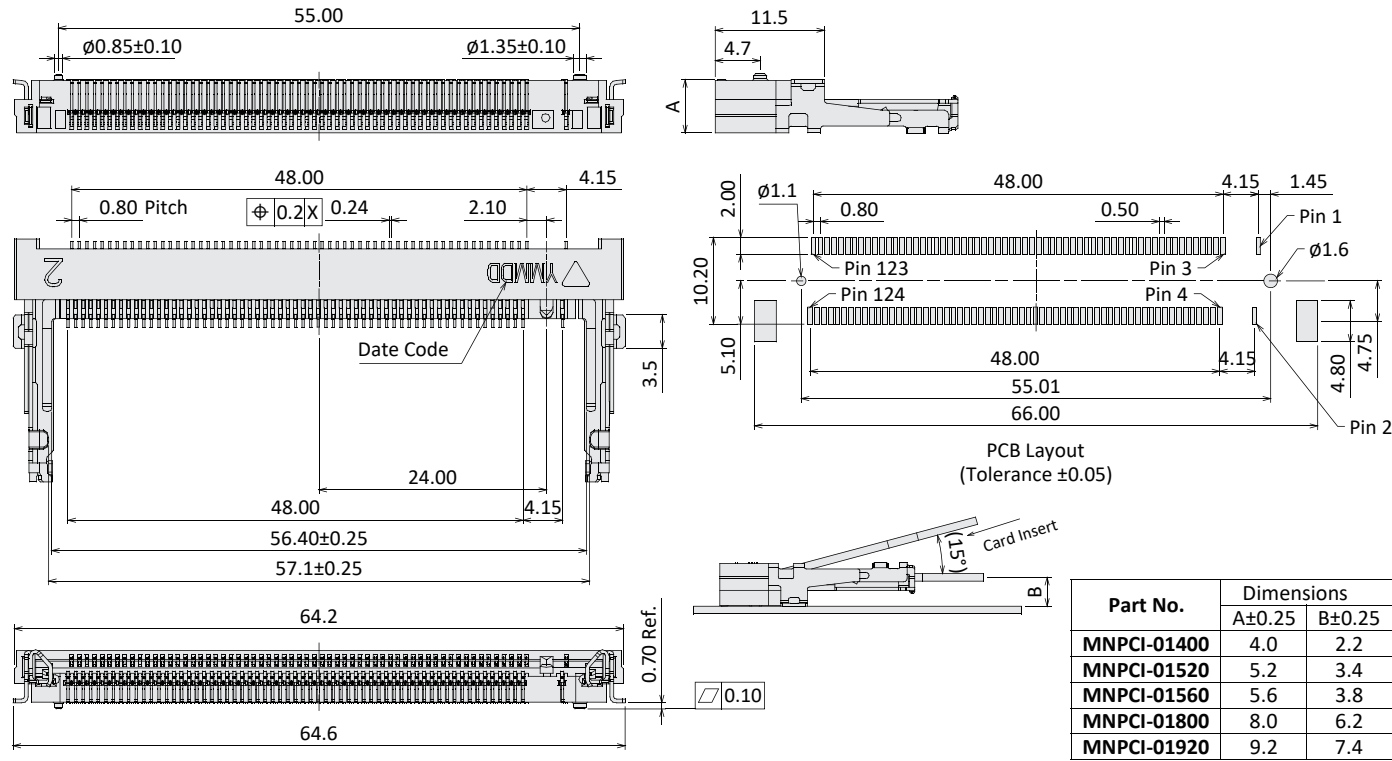


Mini PCIe & PCIe Connector

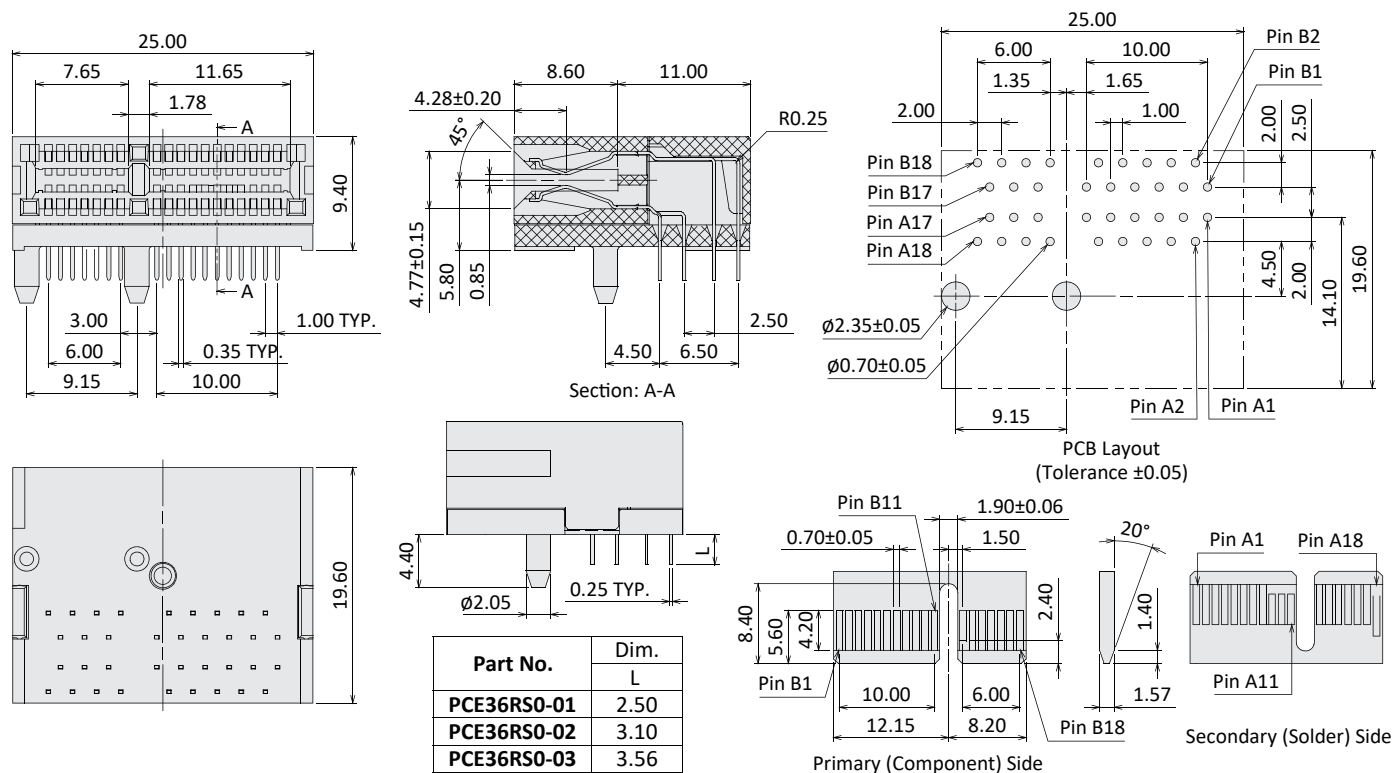
Current Rate: 1.1A
 Dielectric Voltage: 500V AC for one minute
 Insulation Resistance: 1000MΩ Min.
 Contact Resistance: 30mΩ Max.
 Material Contact: Copper Alloy, Gold Plated
 Material Insulator: LCP / NY46, UL94V-0
 Operating Temperature: -55°C~+105°C



Mini PCI Express 124P H=4.0~9.2mm

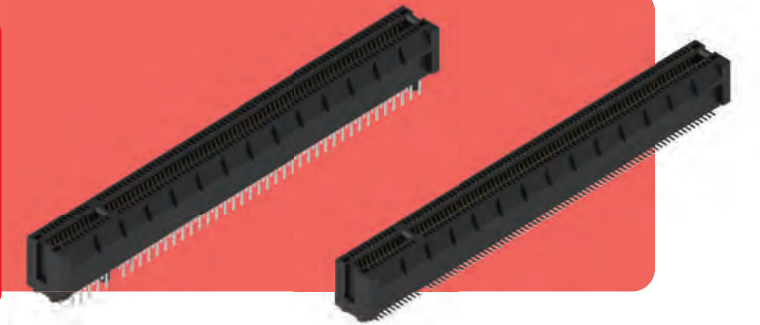


PCI Express Right Angle Type 36P H=9.4mm

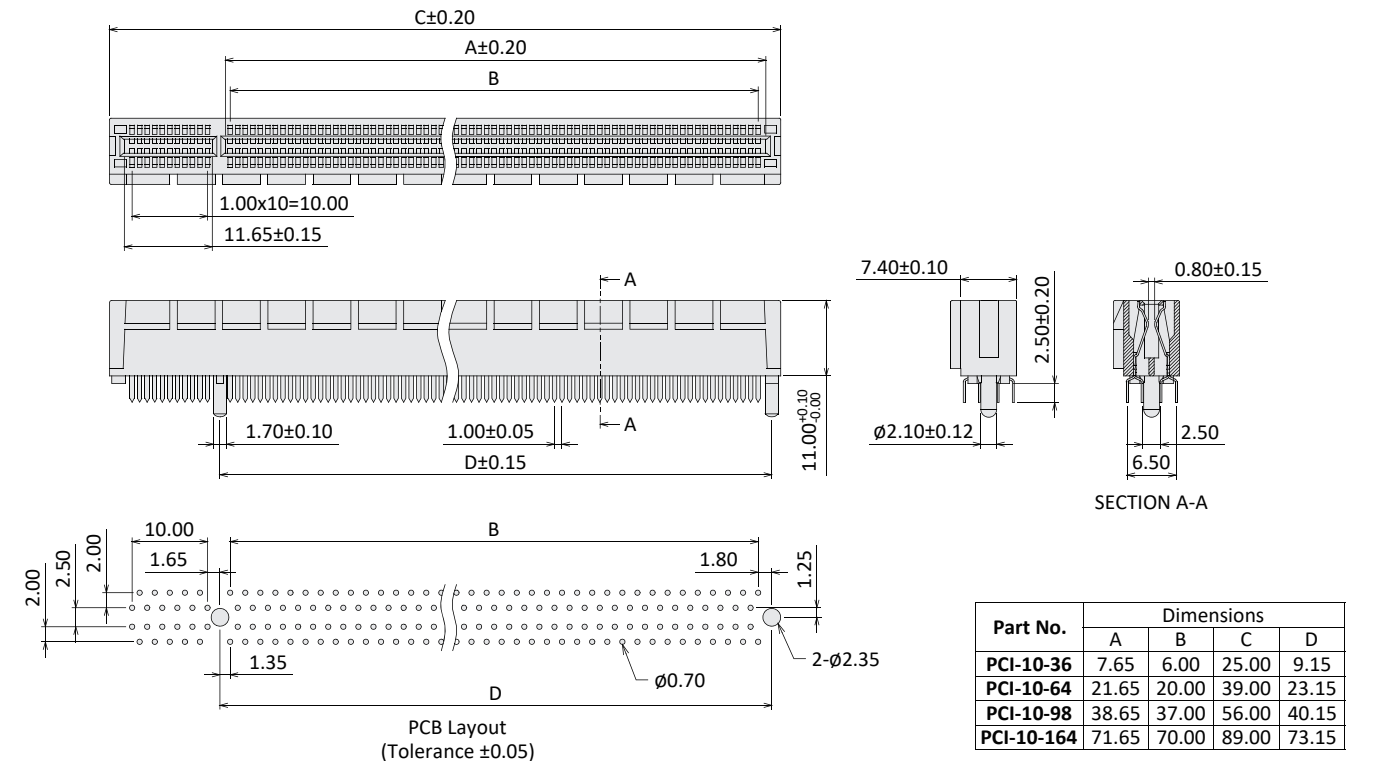


PCIe Connector

Current Rate: 1.1A
 Dielectric Voltage: 500V AC for one minute
 Insulation Resistance: 1000MΩ Min.
 Contact Resistance: 30mΩ Max.
 Material Contact: Copper Alloy, Gold / Tin
 Material Insulator: Nylon or NY9T, UL94V-0
 Operating Temperature: -55°C~+85°C



PCI Express DIP Type 1.0mm Pitch



PCI Express SMT Type 1.0mm Pitch

